



J-RETRO 01

Active/Passive Retro-Fit for J-Style Basses

The J-RETRO 01 is designed to fit directly into standard "Jazz" style basses without modification, including a PP3 battery. Its high quality circuit uses three stacked knobs and includes an active blend circuit plus a 3 band equaliser with bass, variable frequency mid, treble and bright function. The active blend circuit prevents the loss associated with many passive basses where, when both pickups are up full, the signal from one pickup feeds into the other and vice versa. However, a switch is included to allow a passive equal mix of both pickups. A second switch - basic "get-you-out-of-trouble" passive mode is included in case the battery dies in crucial circumstances, but this mode allows useable settings too.

- **VOLUME & BLEND** (Knob stack nearest the neck pickup)

- **VOLUME**

The upper knob is the Volume. This knob has active circuitry after it so that the feed to your amplifier is a low impedance drive.

- **BLEND & PICKUPS SWITCH**

The lower outer knob is the Blend balance for the pickups. Turn it fully clockwise for the neck pickup alone and fully anti-clockwise for the bridge pickup. The midway position, which has an indent, gives an equal mix of both pickups. The balance between the pickups is continuously variable with progressive level compensation towards the single pickup settings.

Important:- The **Pickups** switch (by the blend) must be set pointing towards the jack for the Blend to function. (See **ACTIVE & PASSIVE** diagrams for details of how this switch works)

- **BASS & TREBLE** (The middle knob stack)

- **TREBLE (+ 12dB @ 3 kHz, -12dB @ 1kHz)**

The upper knob is the Treble control with boost and cut. The central 'flat' position is indented. The cut settings work on lower frequencies compared to boost to give a deeper sound when the top is rolled off.

- **BRIGHT (+ 8dB @ 7kHz)**

Pull the Treble knob for the Bright setting.

- **BASS (+ 15dB @ 50Hz)**

The lower outer knob is the boost only Bass control. The frequency band of boost gets progressively lower as the boost is increased. An indent midway is included to aid the setting of this control.

- **MID LEVEL & FREQUENCY** (The knob stack nearest the jack)

- **BOOST/CUT (+/- 12dB)**

The upper knob controls the amount of Mid boost or cut at frequencies according to the setting of the Frequency knob. The midway indent is the 'flat' position.

- **FREQUENCY (150Hz - 3kHz)**

The lower outer knob is continuously variable and sets the Mid frequencies for boost or cut.

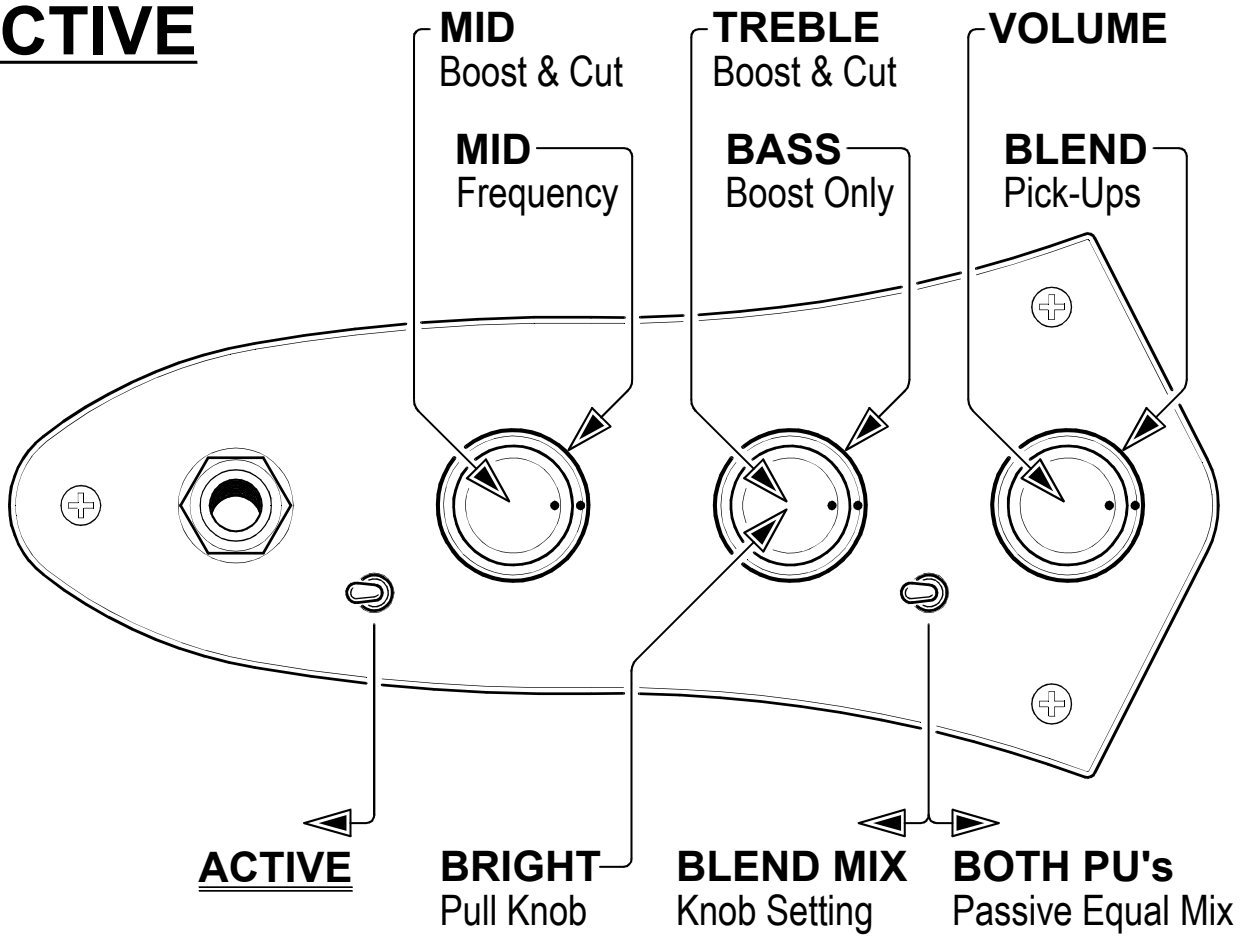
- **ACTIVE PASSIVE SWITCH** (By the jack)

Towards the jack for active, the opposite for passive.

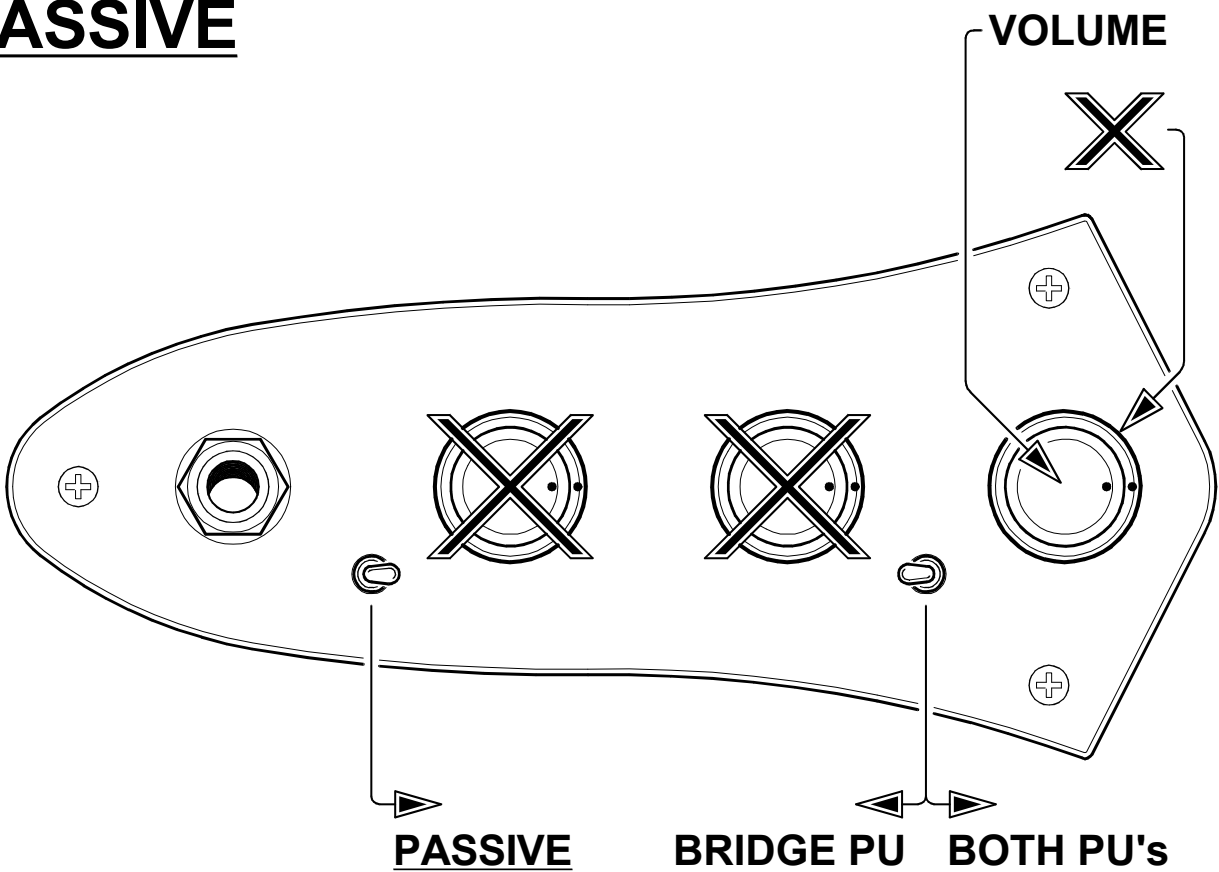
- **POWER**

The power is switched on automatically when a mono jack is plugged into the socket.

ACTIVE



PASSIVE



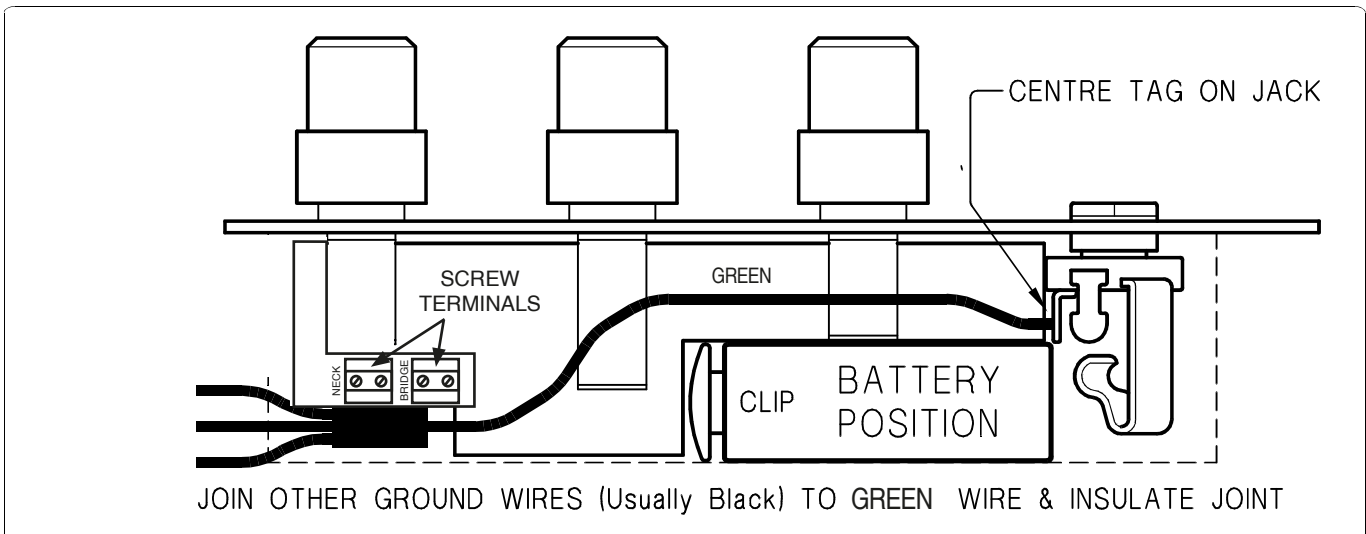
Installing the J-RETRO 01 (& Deluxe)

IMPORTANT

A crucial factor for the installation of a J-RETRO 01 Pre is the size of the routed slot. These do vary slightly from bass to bass. Although the pre-amp is likely to fit without a problem, it's an absolute must to check that the slot is wide enough to take a PP3 battery. The depth is important too, which ideally needs to be a minimum of 32.5mm to allow a little clearance.

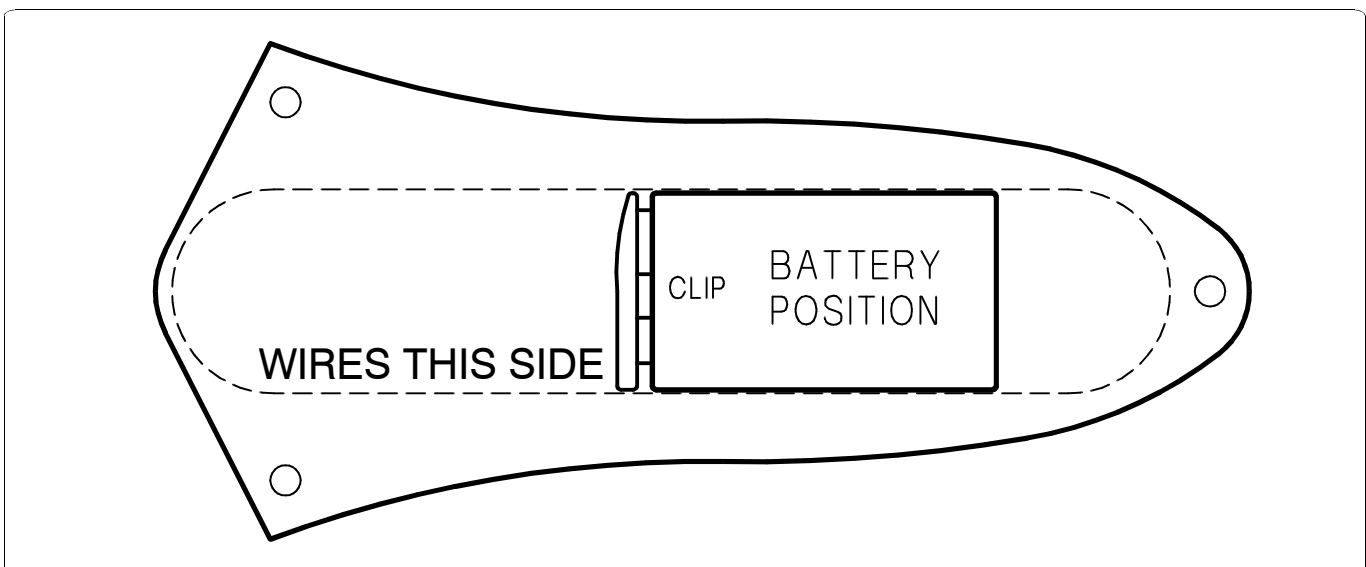
INSTALLATION: East UK cannot take responsibility for incorrect installation, any injury or loss caused as a result of installation. If in doubt, please contact a suitably skilled guitar technician for help in completing the installation correctly, or contact East UK for advice.

- 1 Unscrew the 3 screws for the 'bell' plate on your bass and lift it out. Lay it on some soft leather or thick soft cloth to protect the bass.
- 2 Make a note of where all the wires from the bass are connected to on the original plate so it can be returned to original later if required. Disconnect all the wires and remove the plate.



Side view of the J-RETRO in the bass showing connections (Cavity in dashed line)

- 3 Make sure the J-RETRO 01 and its battery will fit in the cavity before connecting the wires.
- 4 Place the J-RETRO 01 on the leather or cloth protecting the bass and connect the wires using the screw terminals according to the diagram above, or additional diagram enclosed.
- 5 Clip the battery onto the battery clip and lay it into the cavity according to the diagram below.
- 6 Before fitting the new plate make sure all the wires, including the battery wires, will not be trapped in any way by the circuit board or any other part of the pre-amp. Fit using the original 3 screws.

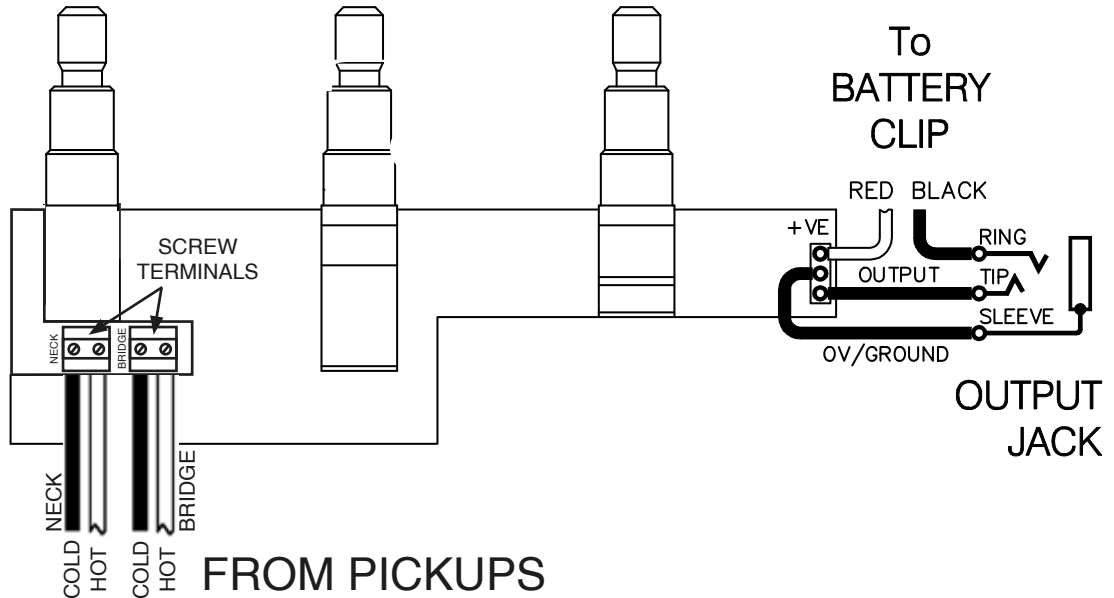


Top view of bell plate showing battery position (Cavity in dashed line)

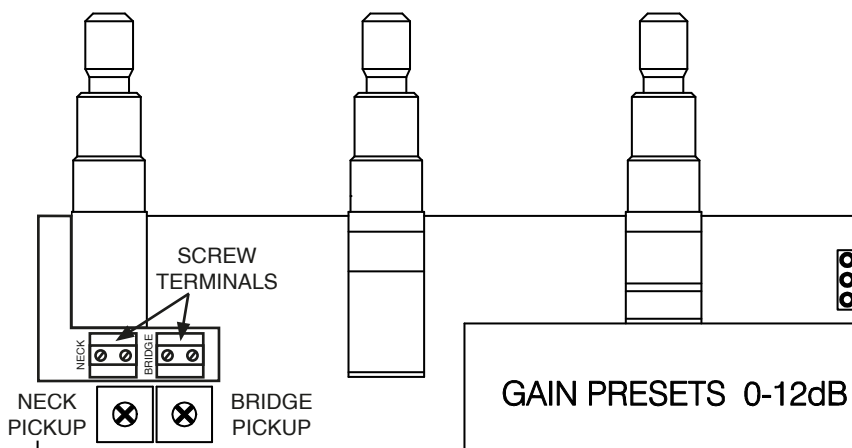
RETRO 01 Wiring & Gain Adjustment

Wiring Diagram

MAKE SURE ALL POT & SWITCH SHAFTS ARE GROUNDED VIA SCREENING FOIL OR OTHER HIGHLY CONDUCTIVE MATERIAL



Pickup Input Gain Adjustment



- 1 The pickup input gain presets are set to minimum as standard. This is normally a suitable setting for the majority of medium and high output pickups. (You should note that the distance from the pickups to the strings makes a big difference to the pickup outputs)
- 2 Lower output pickups may require some gain adjustment to optimise performance.
- 3 AS A GUIDE: With Volume set around 70% and EQ boost/cut controls set in midway indents there should be a good strong output drive.
- 4 If the output seems too low, set the blend to the neck pickup and increase the gain of the neck pickup by adjusting its preset. When you're happy turn the BLEND to the bridge pickup and adjust its preset to match the level of the neck pickup.



CARE & SAFETY

- This unit does not contain any user-servicable parts. Any repairs or maintenance should be carried out by qualified personnel only.
- Do not allow this unit to get wet or expose it to damp conditions.
- Do not leave a battery connected to the unit for extended periods if not in use.

GUARANTEE

Your East product is guaranteed to be free from defects in materials and workmanship for a period of one year from the date of original purchase.

If during the guarantee period your product becomes faulty due to defective materials or workmanship then the unit will be repaired or replaced without charge for parts or labour at the discretion of East UK according to the conditions below.

CONDITIONS

- 1 The original sales invoice or receipt indicating the date of purchase and sales outlet is presented together with the faulty unit.
- 2 The unit was installed competently consistent with the instructions supplied.
- 3 What is not covered:
 - a) Damage due to accident or improper handling, installation or operation.
 - b) Defects caused by the instrument or system to which to which the unit has been installed.
 - c) Damage resulting from repair of the unit carried out by non-authorized service personnel.
 - d) The costs of transport or shipping costs relating directly or indirectly to the guarantee of this product.