



BTB-01

Bass/Treble/Bright Stack

The BTB-01 is based on the middle stack of the J-Retro 01 bass preamp. It consists of a single dual concentric knob stack with controls for BASS, TREBLE and BRIGHT function.

- **BASS & TREBLE Stack**

- **TREBLE (+12dB @ 3 kHz, -12dB @ 1kHz)**

The upper knob is the Treble control with boost and cut. The central 'flat' position is indented. The cut settings work on lower frequencies compared to boost to give a deeper sound when the top is rolled off.

- **BRIGHT (+8dB @ 7kHz)**

Pull the Treble knob for the Bright setting.

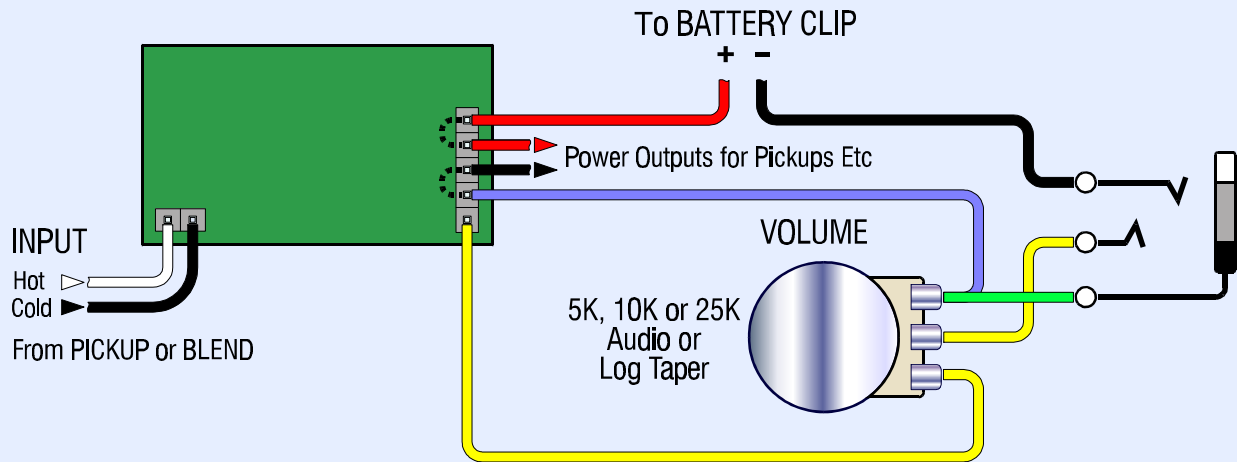
- **BASS (+15dB @ 50Hz)**

The lower outer knob is the boost only Bass control. The frequency band of boost gets progressively lower as the boost is increased. An indent midway is included to aid the setting of this control.

- **POWER**

This unit can powered from 9 - 18 Volts DC.

BTB-01 PERMANENTLY ACTIVE



BTB-01 ACTIVE/PASSIVE SET-UP

